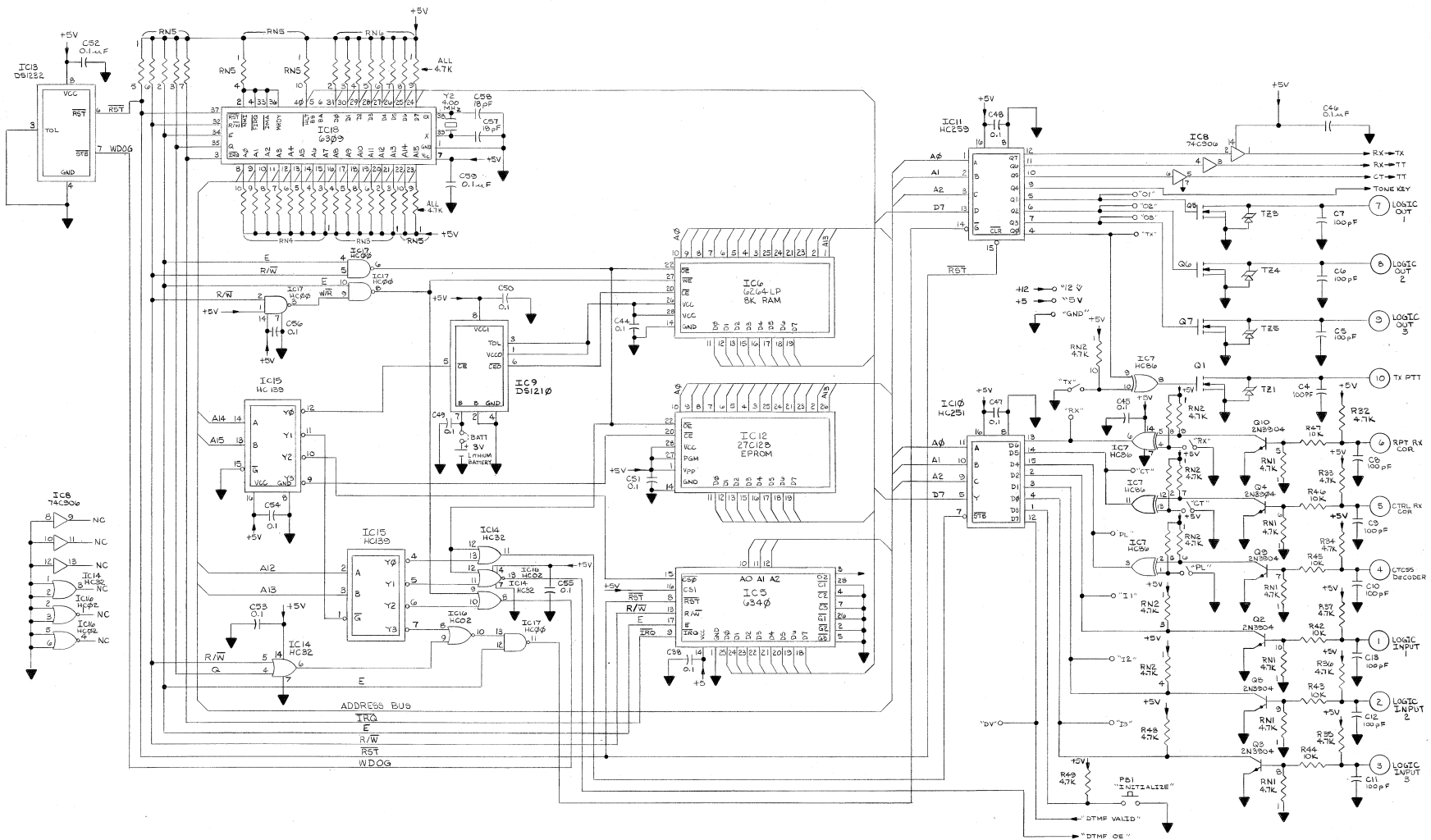
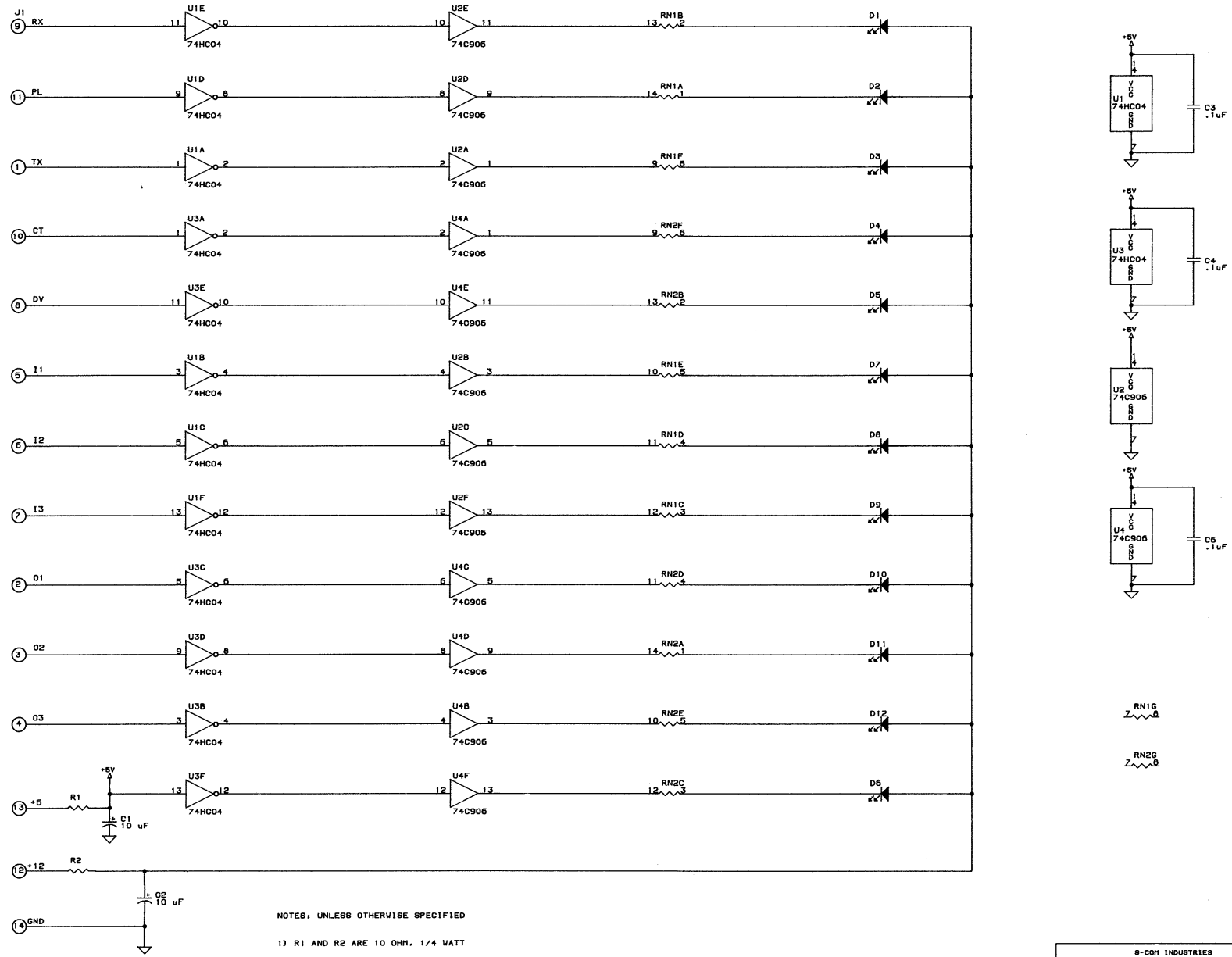


		S-COM INDUSTRIES
		MODEL 5K
		REPEATER CONTROLLER



S-COM INDUSTRIES	
MODEL 5 K	
REPEATER CONTROLLER	



NOTES: UNLESS OTHERWISE SPECIFIED

1) R1 AND R2 ARE 10 OHM, 1/4 WATT

2) RN1 AND RN2 ARE 10K RESISTOR NETWORKS.

S-COH INDUSTRIES		
Title SK DISPLAY BOARD		
Size	Document Number	REV
C		
Date	October 13, 1989	Sheet 1 of 1