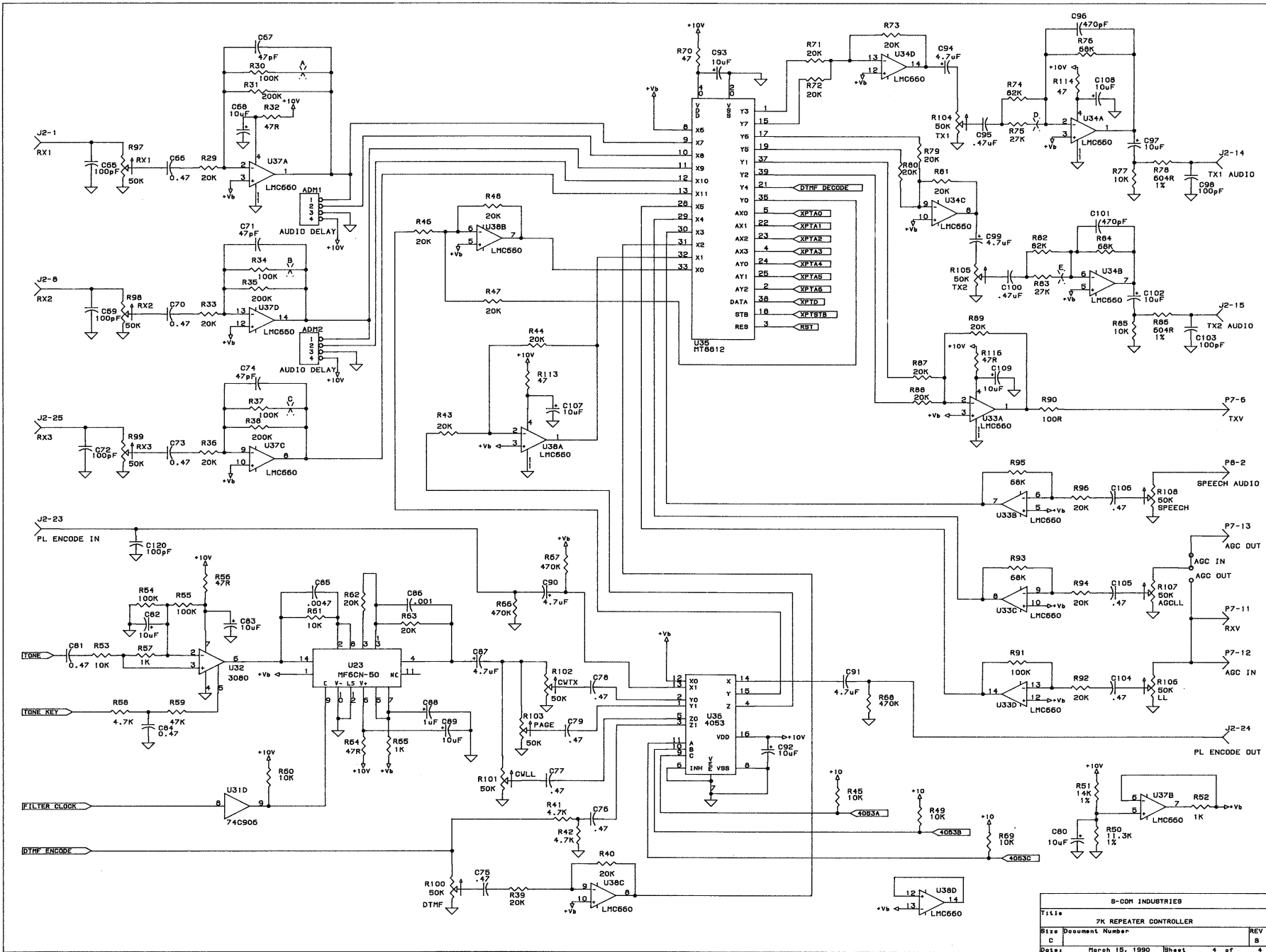
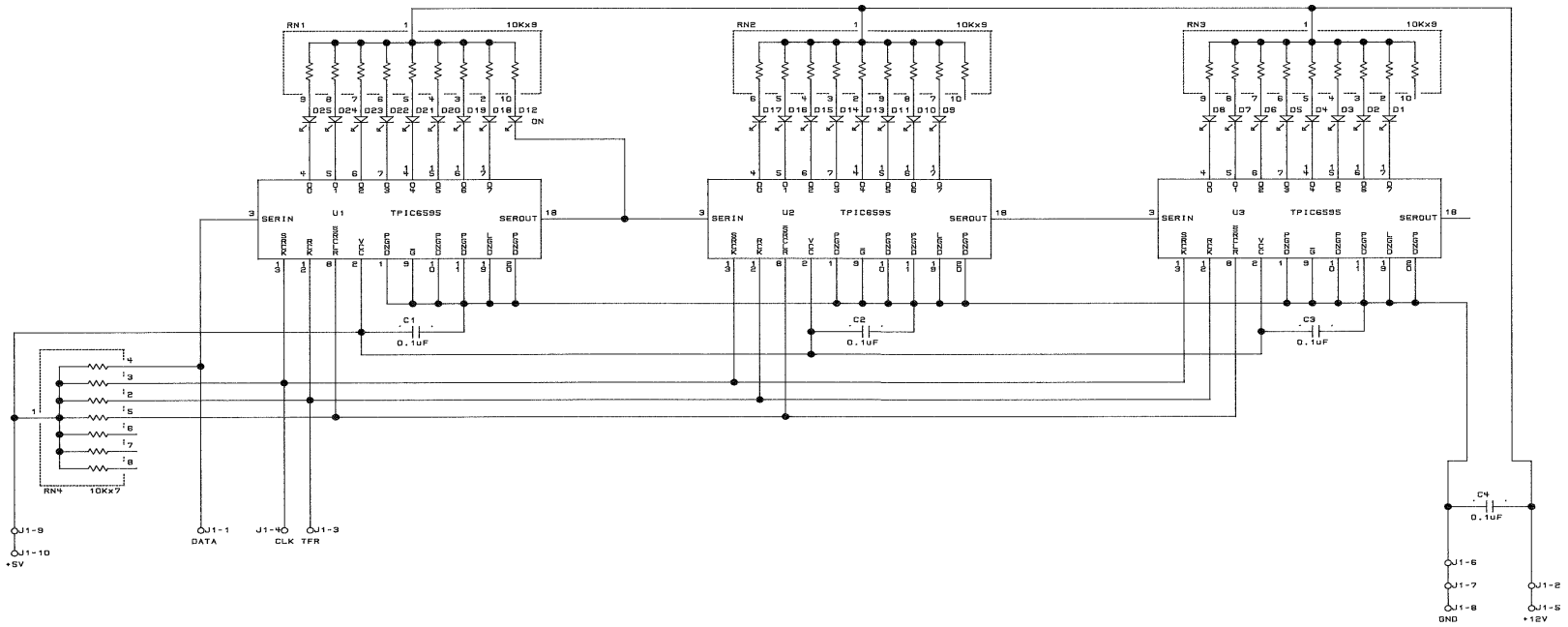


| | | |
|------------------|------------------------|--------------|
| S-COM INDUSTRIES | | |
| Title | 7K REPEATER CONTROLLER | |
| Size | Document Number | REV |
| C | | B |
| Date: | March 16, 1990 | Sheet 2 of 4 |



| | | |
|---------------------------------|----------|--------|
| S-COM INDUSTRIES | | |
| Title 7K REPEATER CONTROLLER | | |
| Size Document Number C | REV B | |
| Date: March 15, 1990 | Sheet | 4 of 4 |



| REV | DATE | DESCRIPTION | SCM INDUSTRIES LOVELAND, CO. |
|-----|----------|-------------|---|
| A1 | 07-01-93 | AS ISSUED | TITLE: 7X DISPLAY BOARD |
| A2 | 12-06-93 | FIX TRACE | SIZE: D REVISION: A2 |
| | | | <input type="checkbox"/> PRELIM <input checked="" type="checkbox"/> FINAL |
| | | | SCALE: NTS SHEET 1 OF 1 |
| | | | JET 245 |

CELL II VERSION 1.72
FILENAME: SCM3.DWG